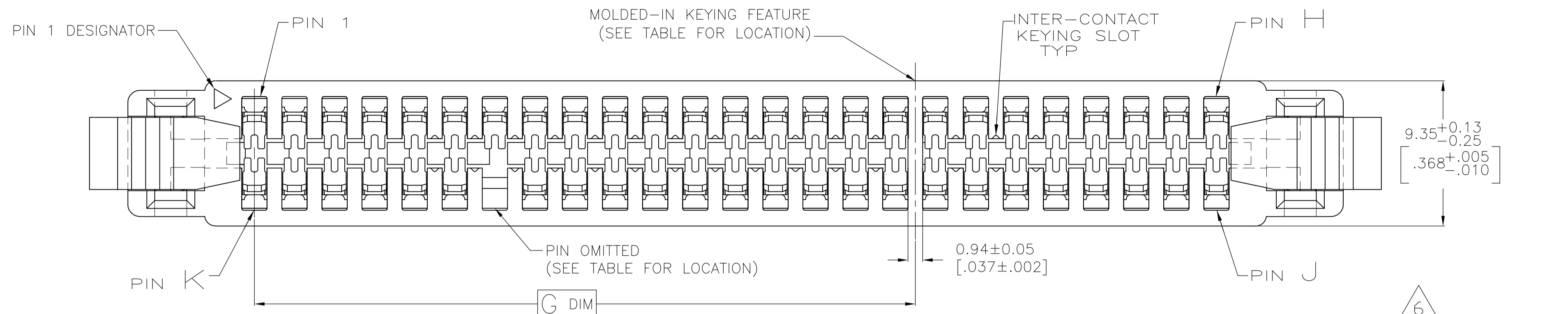
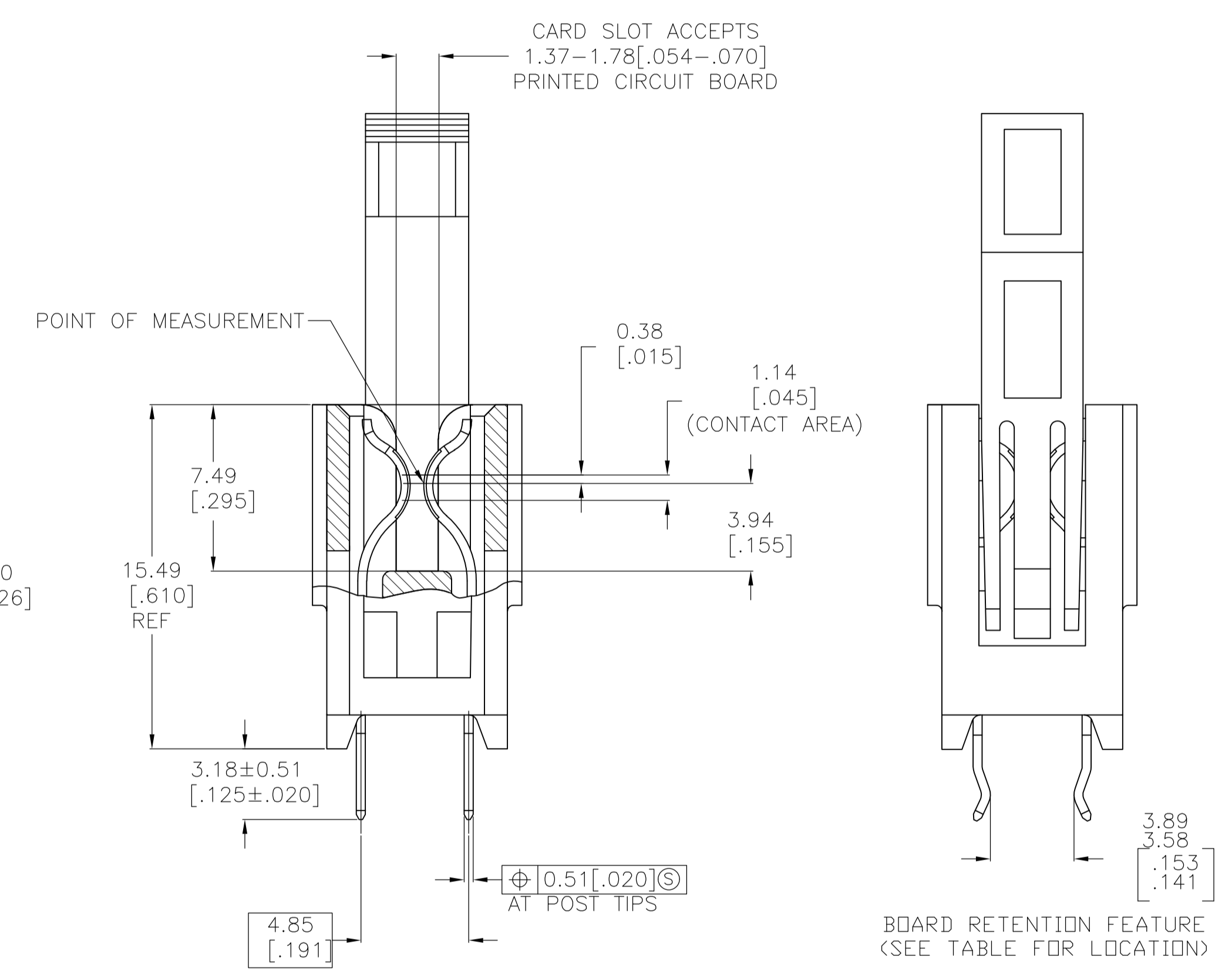
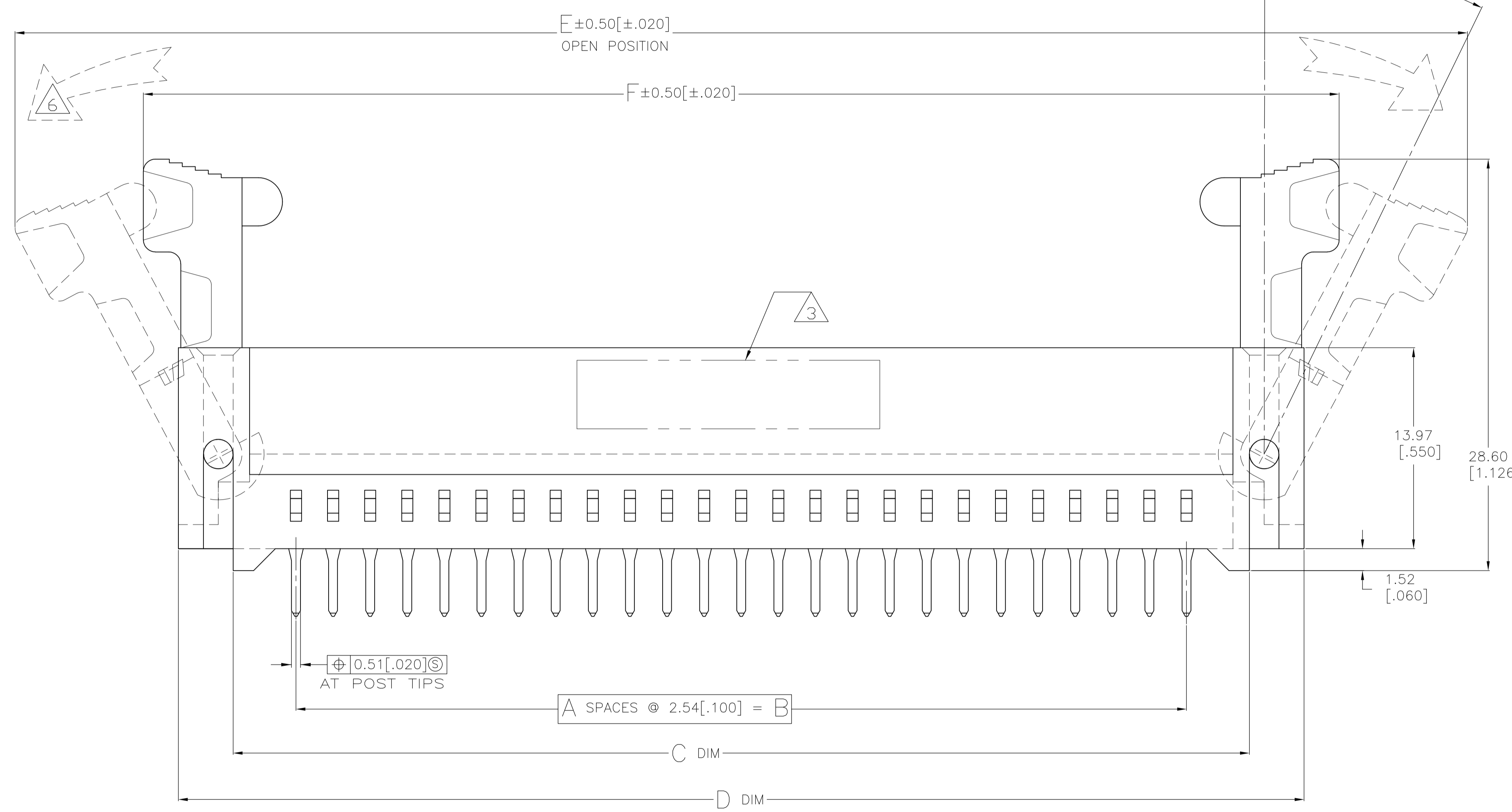


LOC		DIST		REVISIONS			
P	LTR	DESCRIPTION	DATE	DMN	APVD		
C		ECO-07-026535	01APR2008	LAM	AWF		



- MATERIAL:
HOUSING: GLASS FILLED POLYESTER, COLOR: BLACK.
CONTACT: PHOSPHOR BRONZE
LATCH: GLASS FILLED POLYESTER, COLOR: BLACK
- FINISH:
0.00076[.000030] MIN GOLD PLATE IN CONTACT AREA,
0.00254[.000100] MIN MATTE TIN ON SOLDER POSTS, ALL
OVER 0.00127[.000050] MIN NICKEL
- AMP LOGO, TE PART NUMBER, DATE CODE AND CSA LOGO INK
STAMPED WHITE (HOT STAMPED OR LAZER PRINTED) IN THE APPROXIMATE
AREA SHOWN, EITHER SIDE PERMISSABLE, WHEN HOUSING SIZE PERMITS
- DATUMS AND BASIC DIMENSIONS ESTABLISHED BY CUSTOMER
- CONNECTORS SHOWN ARE USED IN APPLICATIONS WITH VRM MODULES WEIGHING
3 OUNCES OR LESS. ALTERNATE CONNECTOR AND LATCH METHOD IS AVAILABLE FOR
VRM MODULES WEIGHING UP TO 6 OUNCES.
- CAUTION: LATCHES ARE INTENDED FOR RETENTION OF PC BOARD TO CONNECTOR,
DO NOT ATTEMPT TO FULLY EJECT PC BOARD FROM CONNECTOR WHILE DISENGAGING
LATCHES. DAMAGE TO LATCHES AND OR CONNECTOR MAY OCCUR



OBsolete	5145432-7
OBsolete	5145432-6
OBsolete	5145432-4
OBsolete	5145432-3
	PART NUMBER

2, 3, 23, 24, 27, 28, 48, 49	21 & 22	44	11.25 [.443]	54.43 [2.143]	50	26	25	52.07 [2.050]	79.60 [3.130]	97.10 [3.820]	74.78 [2.944]	67.28 [2.649]	60.96 [2.400]	24	25	5145432-8
2, 3, 29, 30, 33, 34, 60, 61	7 & 8	6	62.05 [2.443]	18.87 [.743]	62	32	31	16.51 [.650]	94.80 [3.730]	112.40 [4.420]	90.02 [3.544]	82.52 [3.249]	76.20 [3.000]	30	31	5145432-5
2, 3, 23, 24, 27, 28, 48, 49	17 & 18	44	21.41 [.843]	44.27 [1.743]	50	26	25	41.91 [1.650]	79.60 [3.130]	97.10 [3.820]	74.78 [2.944]	67.28 [2.649]	60.96 [2.400]	24	25	5145432-2
RETENTION FEATURE LOCATION	MOLDED-IN KEYING FEATURE BETWEEN	OMITTED PIN & HOLE	P	N	K	J	H	G	F	E	D	C	B	A	NO OF DUAL POSN	PART NUMBER

THIS DRAWING IS A CONTROLLED DOCUMENT.

DIMENSIONS: mm [INCHES]	TOLERANCES UNLESS OTHERWISE SPECIFIED:	DWG: AWF/L.A.MAYER	DATE: 01APR2008
0 PLC ± -	1 PLC ± -	CHK: A.W.FRANTUM	DATE: 01APR2008
2 PLC ± -	3 PLC ± 0.1[.005]	APVD: S.FLICKINGER	DATE: 01APR2008
4 PLC ± -	ANGLES ± 2°	NAME: S.FLICKINGER	

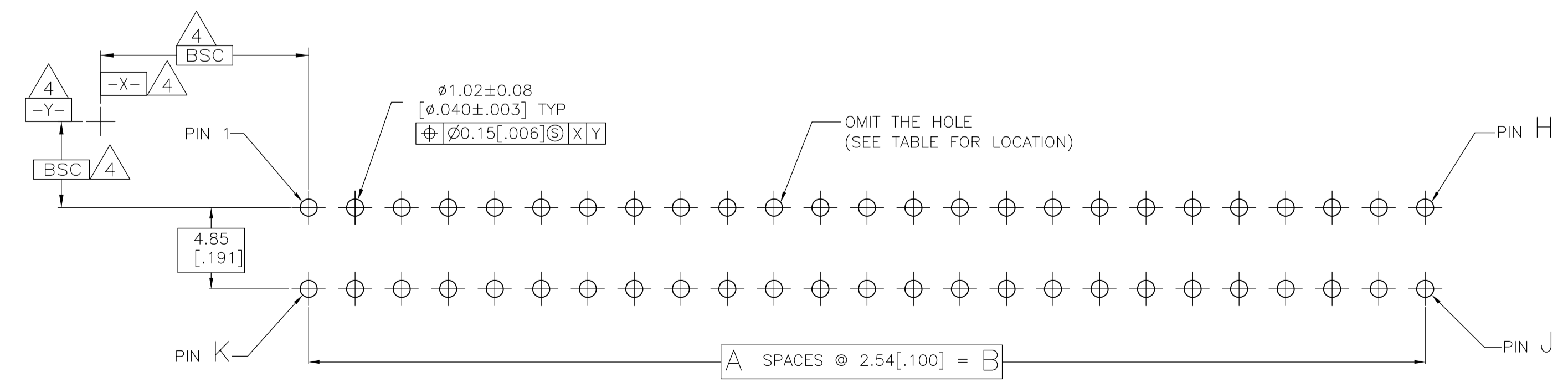
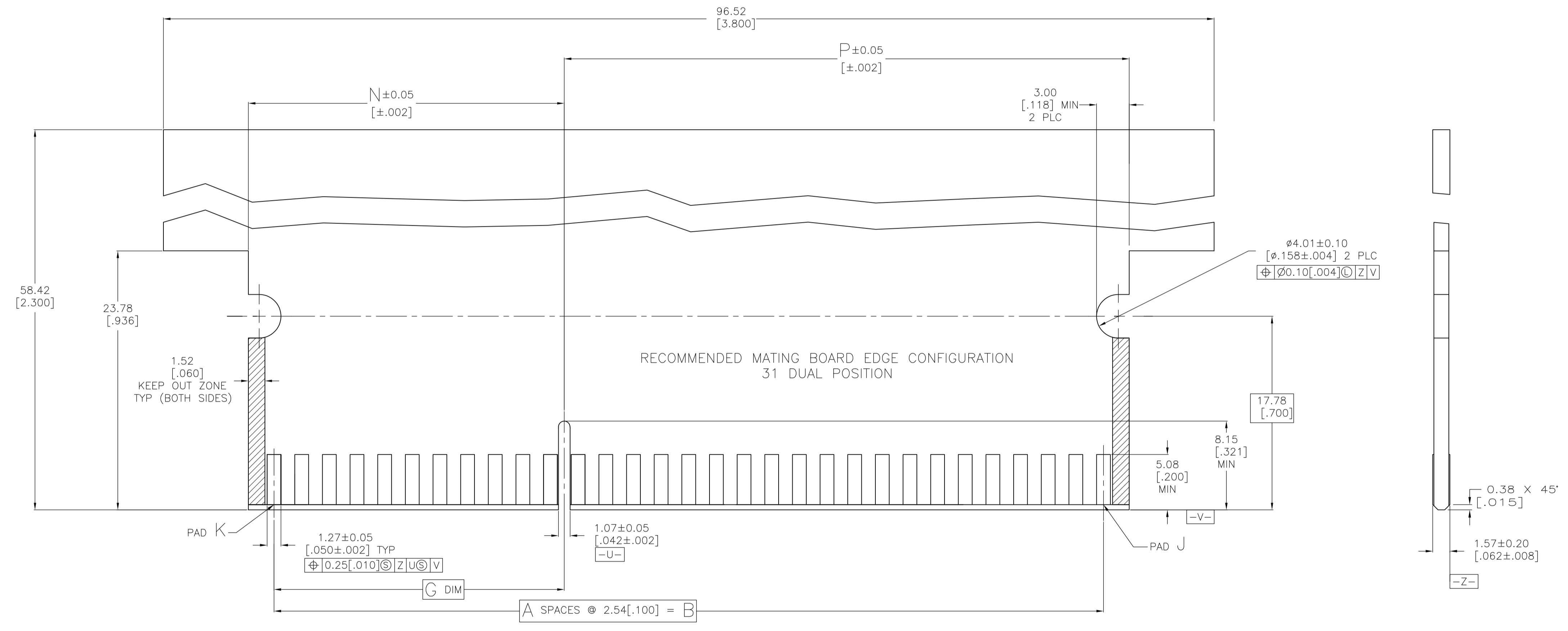
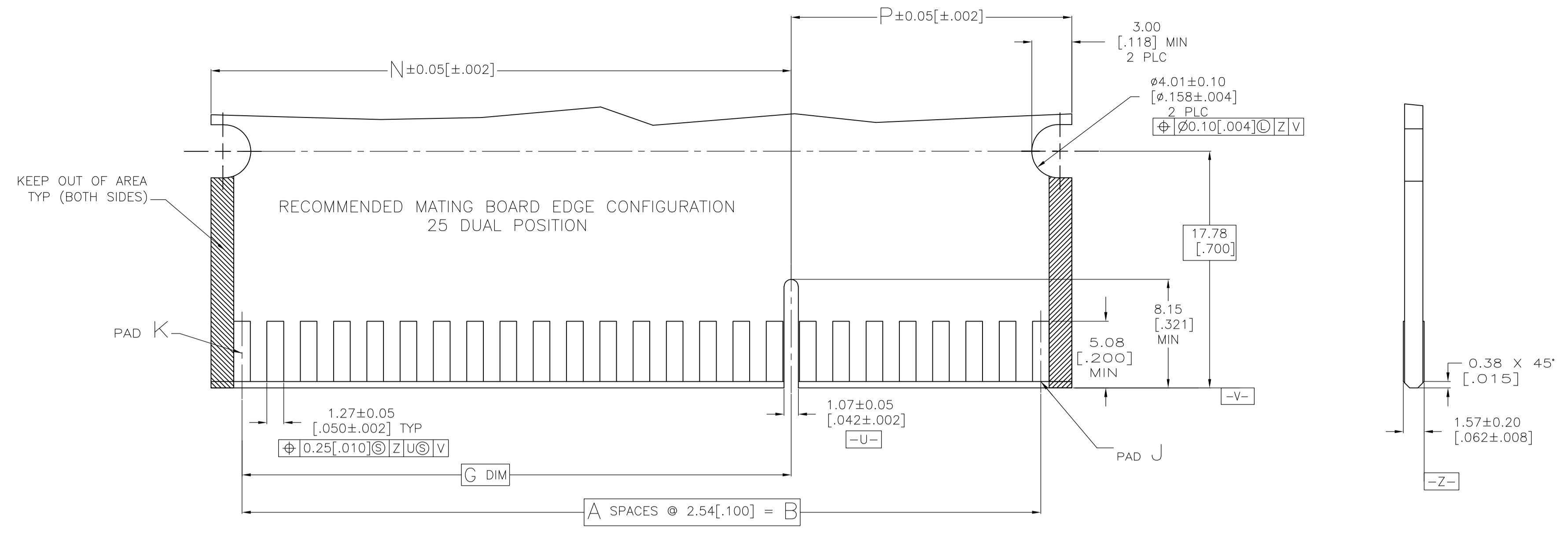
MATERIAL: SEE NOTE 1
 FINISH: SEE NOTE 2

THIS DRAWING IS A CONTROLLED DOCUMENT. DWG: AWF/L.A.MAYER 01APR2008
 CHK: A.W.FRANTUM 01APR2008
 APVD: S.FLICKINGER 01APR2008
 NAME: S.FLICKINGER
 PRODUCT SPEC: 108-9039
 APPLICATION SPEC: 114-13018
 WEIGHT: -
 CUSTOMER DRAWING

TYCO ELECTRONICS Tyco Electronics Corporation
 Harrisburg, PA 17105-3608

CONNECTOR ASSEMBLY, STANDARD EDGE II, DUAL POSITION, 2.54[.100] CENTERLINE

SIZE: A1
 CASE CODE: 00779
 DRAWING NO: 5145432
 RESTRICTED TO: -
 SCALE: 5:1
 SHEET: 1 OF 2
 REV: C



RECOMMENDED PC BOARD HOLE LAYOUT

THIS DRAWING IS A CONTROLLED DOCUMENT.		DIN AWF/L.A.MAYER 01APR2008		Tyco Electronics Tyco Electronics Corporation Harrisburg, PA 17105-3608	
DIMENSIONS: mm [INCHES]		TOLERANCES UNLESS OTHERWISE SPECIFIED:		AWF 01APR2008	
0 PLC ± -		1 PLC ± -		S.FLICKINGER 01APR2008	
1 PLC ± -		2 PLC ± -		NAME	
2 PLC ± -		3 PLC ± 0.1[.005]		CONNECTOR ASSEMBLY, STANDARD EDGE II, DUAL POSITION, 2.54[.100] CENTERLINE	
3 PLC ± -		4 PLC ± -		PRODUCT SPEC	
4 PLC ± -		ANGLES ± 2°		108-9039	
MATERIAL SEE NOTE 1		FINISH SEE NOTE 2		APPLICATION SPEC	
				114-13018	
				SIZE CASE CODE DRAWING NO	
				A1 00779 C=5145432	
				RESTRICTED TO	
				CUSTOMER DRAWING	
				SCALE 4:1 SHEET 2 OF 2 REV C	